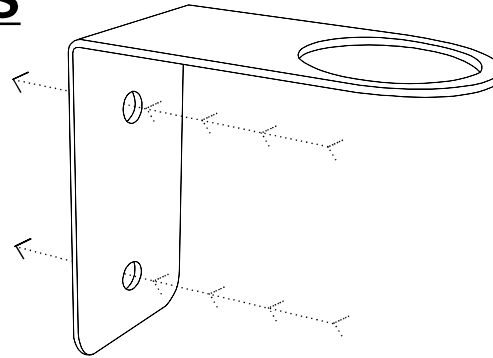


POD

INSTALLATION INSTRUCTIONS

OPTION A - FIXING USING SCREWS

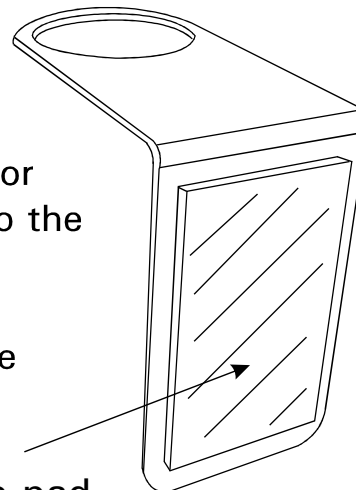
The *POD* is supplied with two holes suitable for fixing to a wall with screw fastenings (not supplied).



OPTION B - FIXING USING ADHESIVE PAD.

The adhesive pad will stick to a smooth surface: glass, stainless steel, ceramic tiles, non porous stone tiles i.e. marble, granite.

1. The adhesive tape, on the rear of the unit should only be used on clean, non-porous surfaces. Choose a suitable location, ensuring that the bottle can be removed from the *POD* once in position.
2. To assist in cleaning surfaces, a glass cleaner (Brite or UB80) should be used prior to fixing by rubbing on to the wall and removing surplus with a clean cloth.
3. Leave for 5 minutes.
4. Before final positioning and adhesion of the unit, care should be taken to position the unit correctly as the tape is non-repositionable.



Adhesive pad

